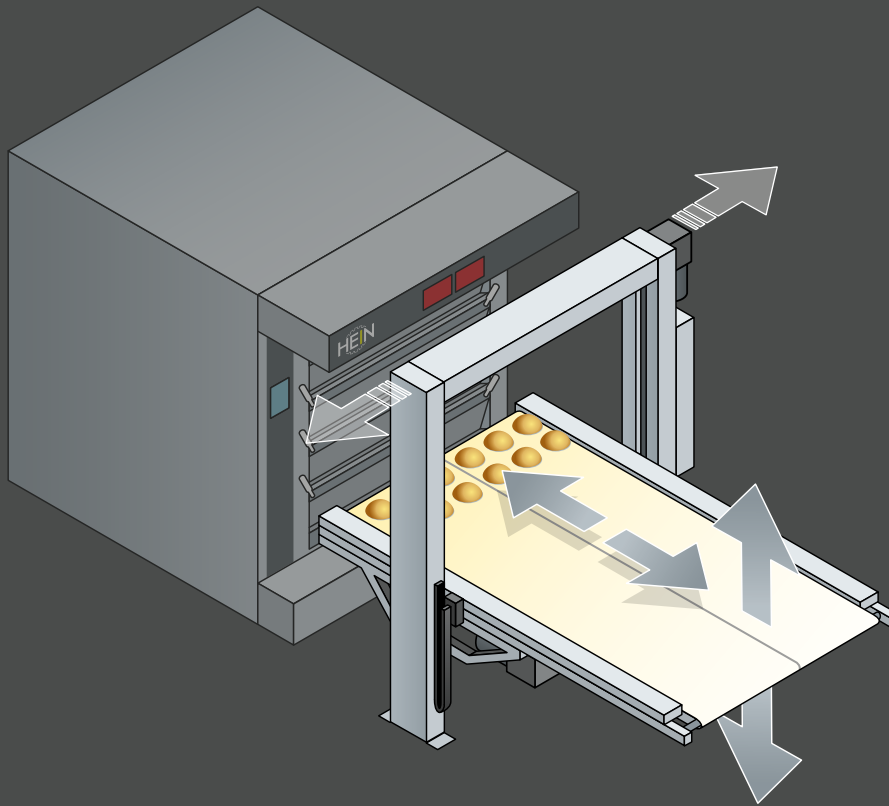


# HEIN HUBILUX

SEMI-AUTOMATIC SUPPLY AND UNLOADING SYSTEM



*The Hubilux is available on a tailor-made basis, so also for ovens that are not from HEIN.  
A Hein-Partner near you will be happy to explain to you the advantages of our automation technology.*

## Achieve your goals faster with less effort.

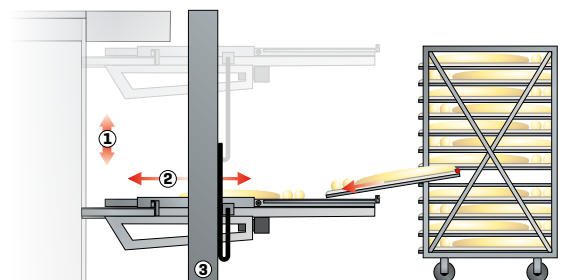
Make your daily work easier while improving the productivity of your company and the quality of your products.

With the semi-automatic HEIN HUBILUX stitching system in proven Hein quality, we have created a system that both makes working in the immediate vicinity of the oven easier and more pleasant, as well as optimizes the various production processes, which reduces costs and contributes to improving the quality of your baked goods.

## SEMI-AUTOMATIC SUPPLY AND UNLOADING SYSTEM

Motorized movement processes:

- ① Up / Down
- ② In / Out
- ③ The Hubilux can also be supplied mobile for use in front of 2 ovens



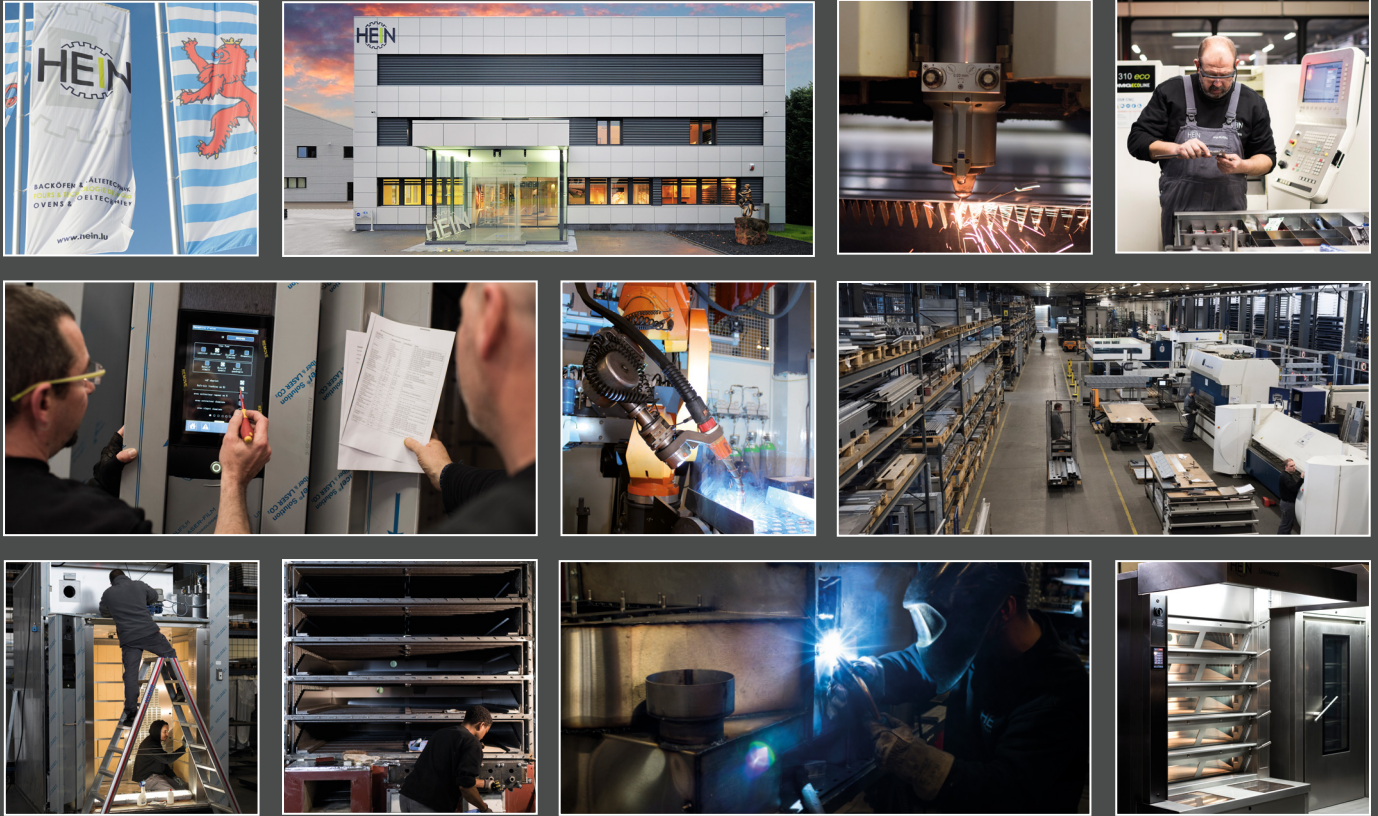
## LESS WORK, MORE PROFIT!

HEIN, Fabrique de fours s.à.r.l., 102, rue du Kiem · L-8030 Strassen - Luxembourg (+352) 45 50 55 -1 · info@hein.lu

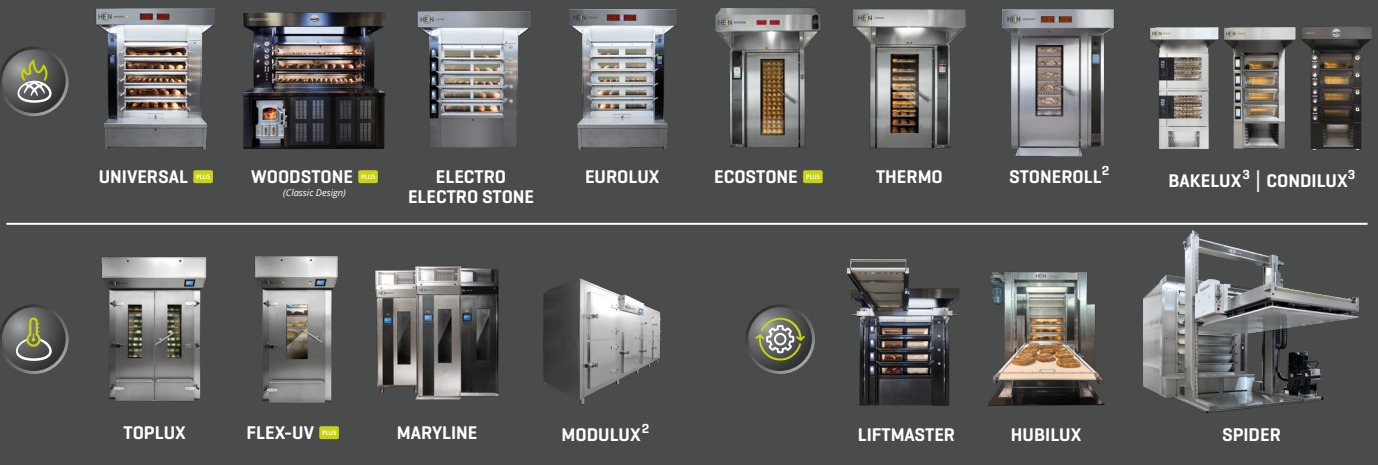
[www.hein.lu](http://www.hein.lu)

# Oven construction and cooling technologies

The HEIN company is an innovative family-owned company from Luxembourg, which has been developing high-quality baking and cooling technology for demanding bakers and manufacturing it in its own production facilities since 1882. Every product that leaves the factory is the result of over 140 years of experience, the highest level of engineering, the best materials and components, the most modern production techniques down to the last detail and the skills of highly motivated and committed employees.



## Overview of our product range



*Redefining excellence. Since 1882.*



102, rue du Kiem · L-8030 Strassen - Luxembourg  
 (+352) 45 50 55 -1 · info@hein.lu  
 www.hein.lu

